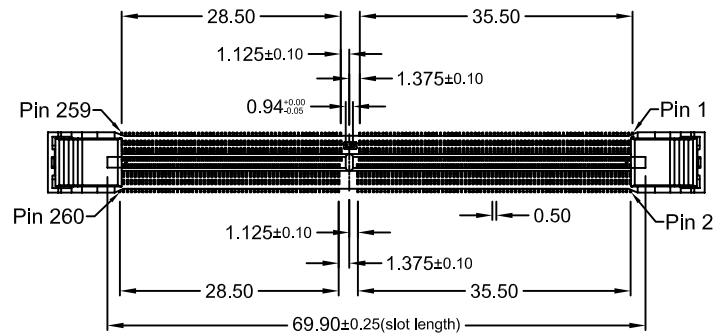


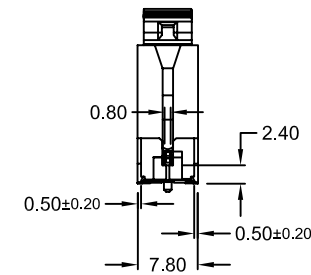
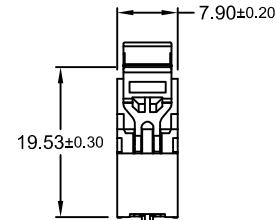
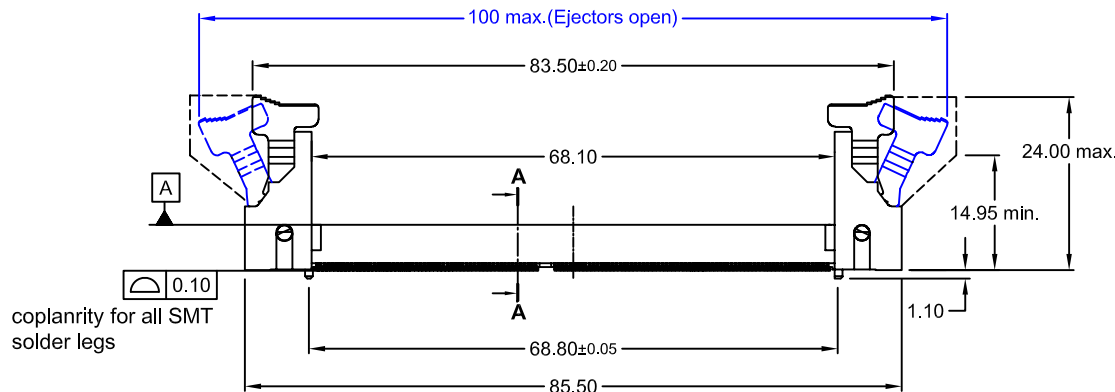
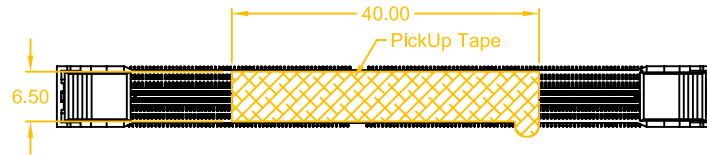
| REV. | DESCRIPTION | DATE       | DRAWN  |
|------|-------------|------------|--------|
| A    | New         | 29.05.2019 | Cherry |



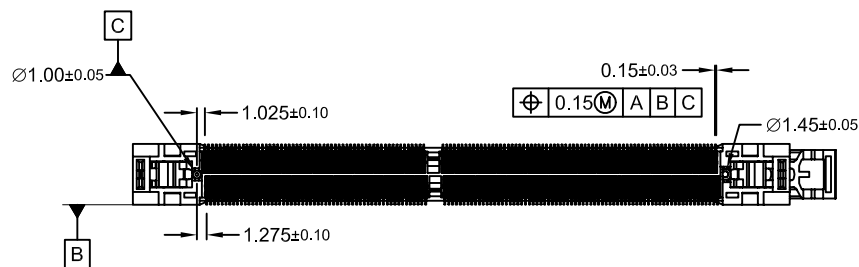
**Order Code**  
DMD-260-VLG9-xx/DT

Plating

- 55 = Gold flash
- 56 = Gold flash / Gold 10µ"
- 57 = Gold flash / Gold 15µ"
- 58 = Gold flash / Gold 30µ"



A - A



**Specifications**

**Electrical**  
 Current rating: 0,5A  
 Insulation resistance: 1000MΩ min.  
 Contact resistance: 50mΩ max.  
 Voltage rating: 35V AC / contact  
 Withstanding voltage: 250V AC

**Material**

Contact: Phosphor Bronze  
 Plating: Au on solder, Au flash on contact area  
 Latch: PA9T (white) UL 94V-0  
 Insulator: LCP (black) UL 94V-0  
 Operating temperature: -40°C to +80°C  
 Processing temperature: +250°C +0/-5°C for 20~40 seconds

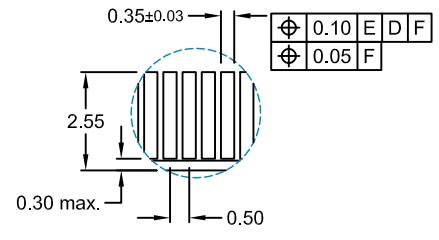
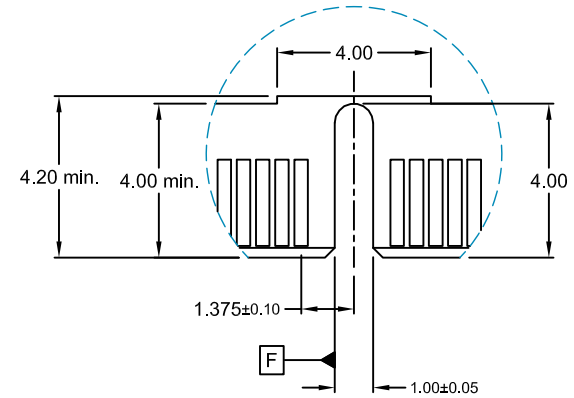
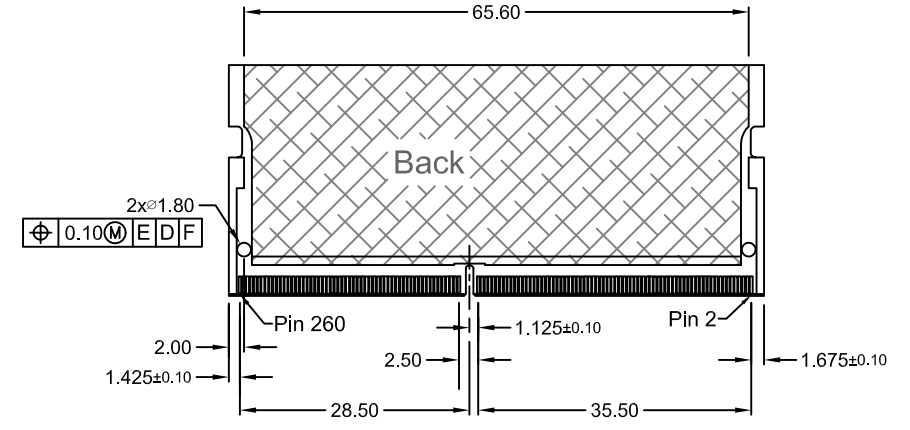
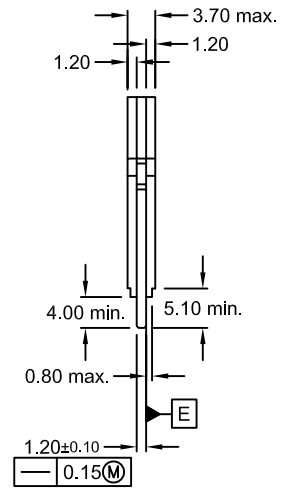
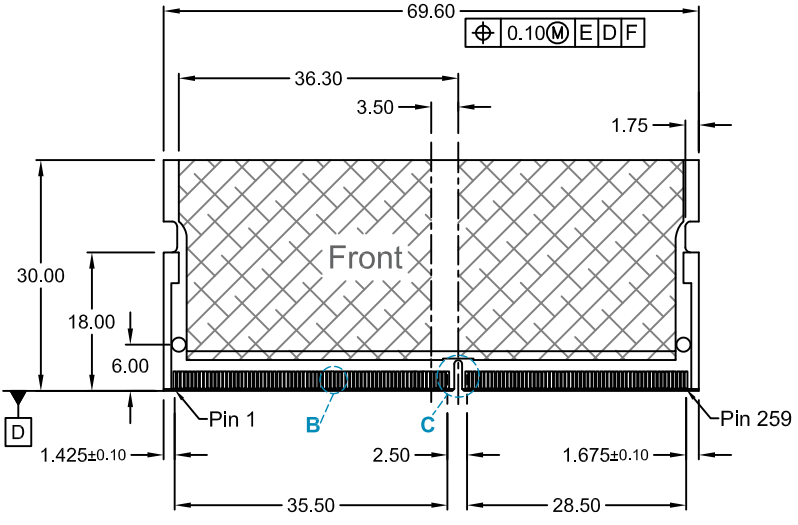
E-tec 2019 © - all rights reserved



| UNIT  | GENERAL TOLERANCE |            | DRAWN   | DATE       | DWG. NO.           | SHEET 1/3 |
|-------|-------------------|------------|---------|------------|--------------------|-----------|
| mm    | X.° ±             | X. ±       | Cherry  | 29.05.2019 | DMD-260-VLG9       | REV. A    |
| SCALE | .X° ±             | .X ±       | CHECK   | DATE       | SERIES NO.         |           |
| Free  | .XX° ±            | .XX ± 0.15 | Ronny   | 29.05.2019 | DMD-260-VLG9-xx/XX |           |
|       | .XXX° ±           | .XXX ±     | APPROVE | DATE       |                    |           |
|       |                   |            | Fagi    | 29.05.2019 |                    |           |

**DDR4 260 Contact "Socket"**  
 -SMT- Vertical  
 1.2V "Standard Type"

| REV. | DESCRIPTION | DATE       | DRAWN  |
|------|-------------|------------|--------|
| A    | New         | 29.05.2019 | Cherry |



Detail B

Detail C

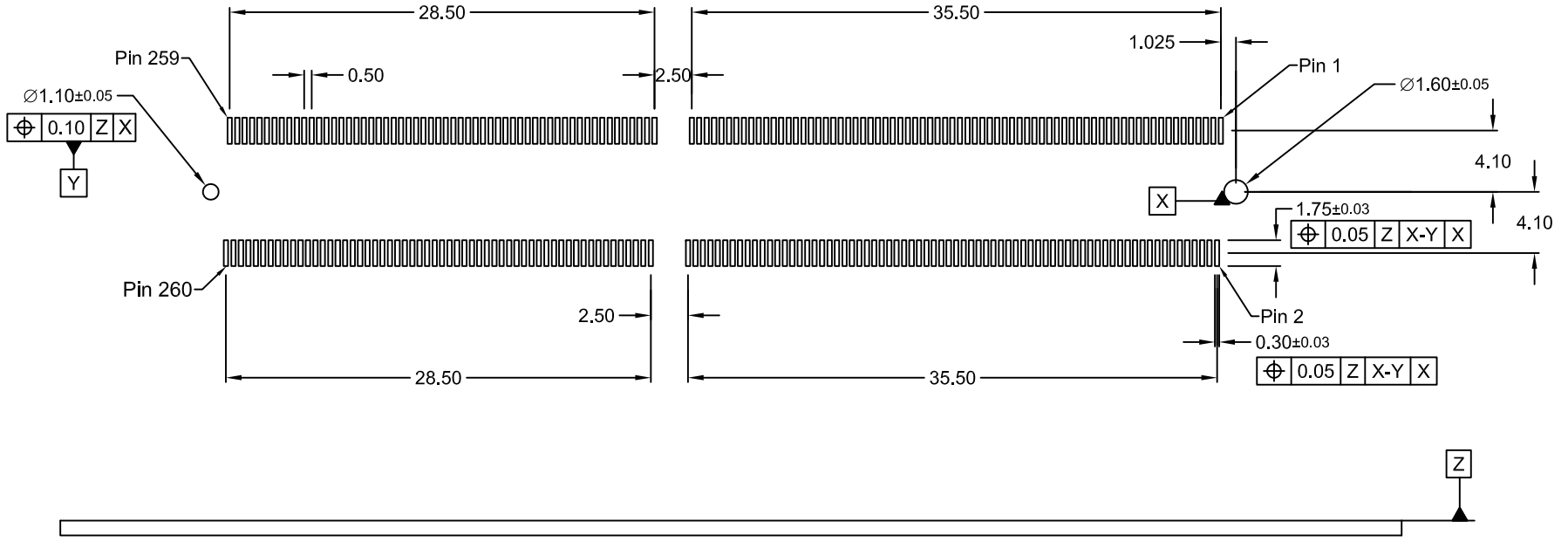
E-tec 2019 © - all rights reserved



| UNIT | SCALE | GENERAL TOLERANCE |            | DRAWN  | DATE       | DWG. NO.        | SHEET 2/3 |
|------|-------|-------------------|------------|--------|------------|-----------------|-----------|
| mm   | Free  | X.° ±             | X. ±       | Cherry | 29.05.2019 | MMD-260-VLG9    | REV. A    |
|      |       | .X° ±             | .X ±       | RONNY  | 29.05.2019 | SERIES NO.      |           |
|      |       | .XX° ±            | .XX ± 0.15 | FAGI   | 29.05.2019 | MMD-260-VLG9-xx |           |
|      |       | .XXX° ±           | .XXX ±     |        |            |                 |           |

**DDR4 260 Contact "Modul"**  
for 1.2V "Standard Type" Socket  
MMD-260-VLG9-xx

|      |             |            |        |
|------|-------------|------------|--------|
| REV. | DESCRIPTION | DATE       | DRAWN  |
| A    | New         | 29.05.2019 | Cherry |



Recommended PCB Layout Top View

E-tec 2019 © - all rights reserved



|       |      |                   |            |
|-------|------|-------------------|------------|
| UNIT  | mm   | GENERAL TOLERANCE |            |
| SCALE | Free | X.° ±             | X. ±       |
|       |      | .X° ±             | .X ±       |
|       |      | .XX° ±            | .XX ± 0.15 |
|       |      | .XXX° ±           | .XXX ±     |

|         |        |      |            |
|---------|--------|------|------------|
| DRAWN   | Cherry | DATE | 29.05.2019 |
| CHECK   | Ronny  | DATE | 29.05.2019 |
| APPROVE | Fagi   | DATE | 29.05.2019 |

|            |                 |       |     |
|------------|-----------------|-------|-----|
| DWG. NO.   | DMD-260-VLG9    | SHEET | 3/3 |
| SERIES NO. | DMD-260-VLG9-xx | REV.  | A   |

**DDR4 260 Contact "Layout"**  
for 1.2V "Standard Type" Socket  
DMD-260-VLG9-xx